

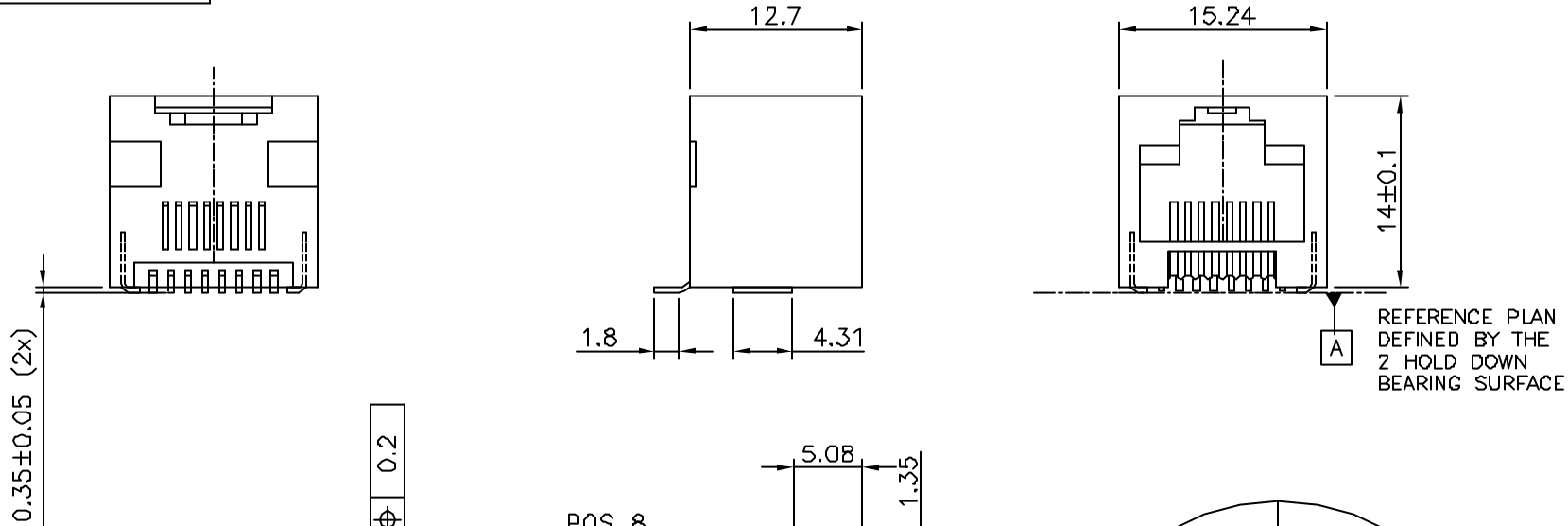
PRODUCT NUMBER
73333-XXXLF

PLATING OPTION	
1=	GXT 0.76 μm
3=	GOLD 0.76 μm
5=	GOLD 1.27 μm

PACKAGE OPTION	
1=	TAPE ON REEL
2=	TUBE

TERMINAL LOADING	
1=	FULLY LOADED
2=	POS 1,2,7,8
3=	POS 3,4,5,6

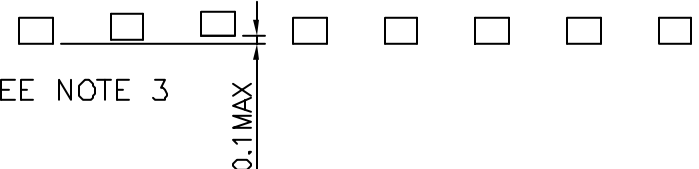
WHEN NEEDED, SUFFIX LETTER "LF" INDICATES THE PRODUCT IS RoHS COMPATIBLE, SEE NOTE 4.



- NOTES:
- 1 - MATERIAL: HOUSING: HIGH TEMP. NYLON, COLOUR BLACK.
TERMINAL: PHOSPHOR BRONZE.
 - 2 - PLATING: CONTACT AREA: SEE TABLE.
SOLDER TAIL : 90/10 SnPb 2 μm MIN.
WHEN SUFFIX "LF" IS REQUIRED, 2 μm MIN MATTE TIN OVER 1.27 MIN Ni IS SUPPLIED INSTEAD OF SnPb.
NO RAW EDGES EXCEPT SOLDER TAIL TIPS
 - 3 - SOLDER TAILS COPLANARITY : 0.1 mm
 - 4 - RoHS COMPATIBLE PRODUCT SPECIFICATIONS

- a - PLATING:
 - "LF" MEANS THE PRODUCT IS LEAD-FREE, 2 μm MINIMUM MATTE TIN OVER 1.27 μm MINIMUM NICKEL UNDERPLATE.
- b - MANUFACTURING PROCESS COMPATIBILITY
 - THE HOUSING WILL WITHSTAND EXPOSURE TO 245°C PEAK TEMPERATURE FOR 30 SECONDS MAX IN A CONVECTION, INFRA-RED OR VAPOR PHASE OR REFLOW OVEN.
- c - LABELING:
 - MEETS PACKAGING SPECS AS PER GS-14-920
- d - LEGAL STATEMENT: SEE GS-22-008

VIEW ACCORDING "V"



CUSTOMER COPY FOR REFERENCE ONLY

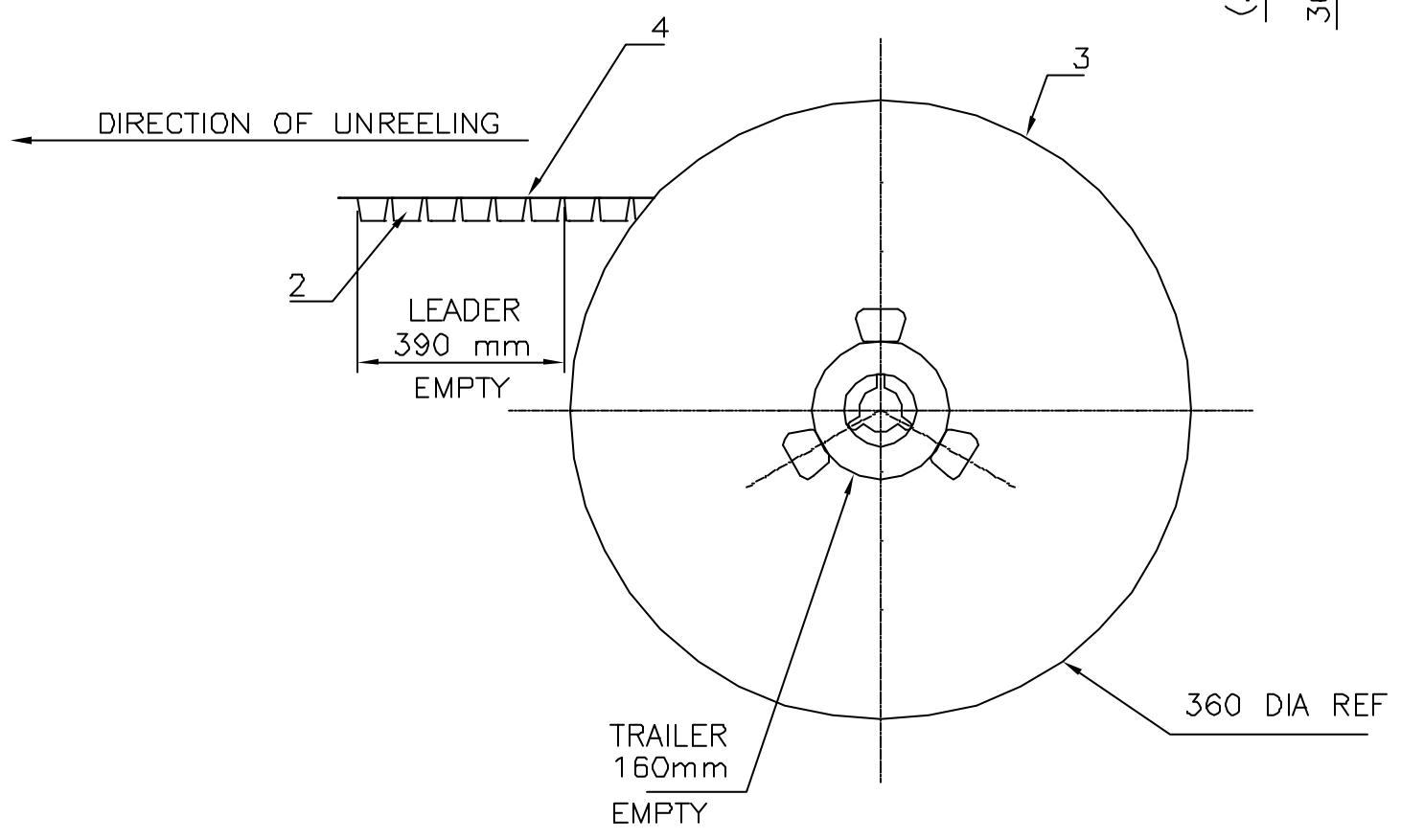
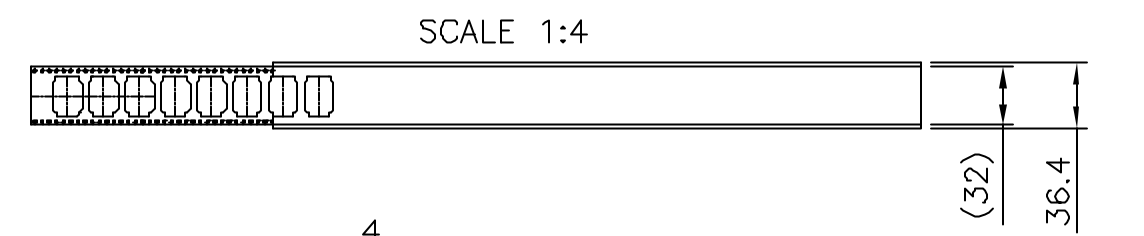
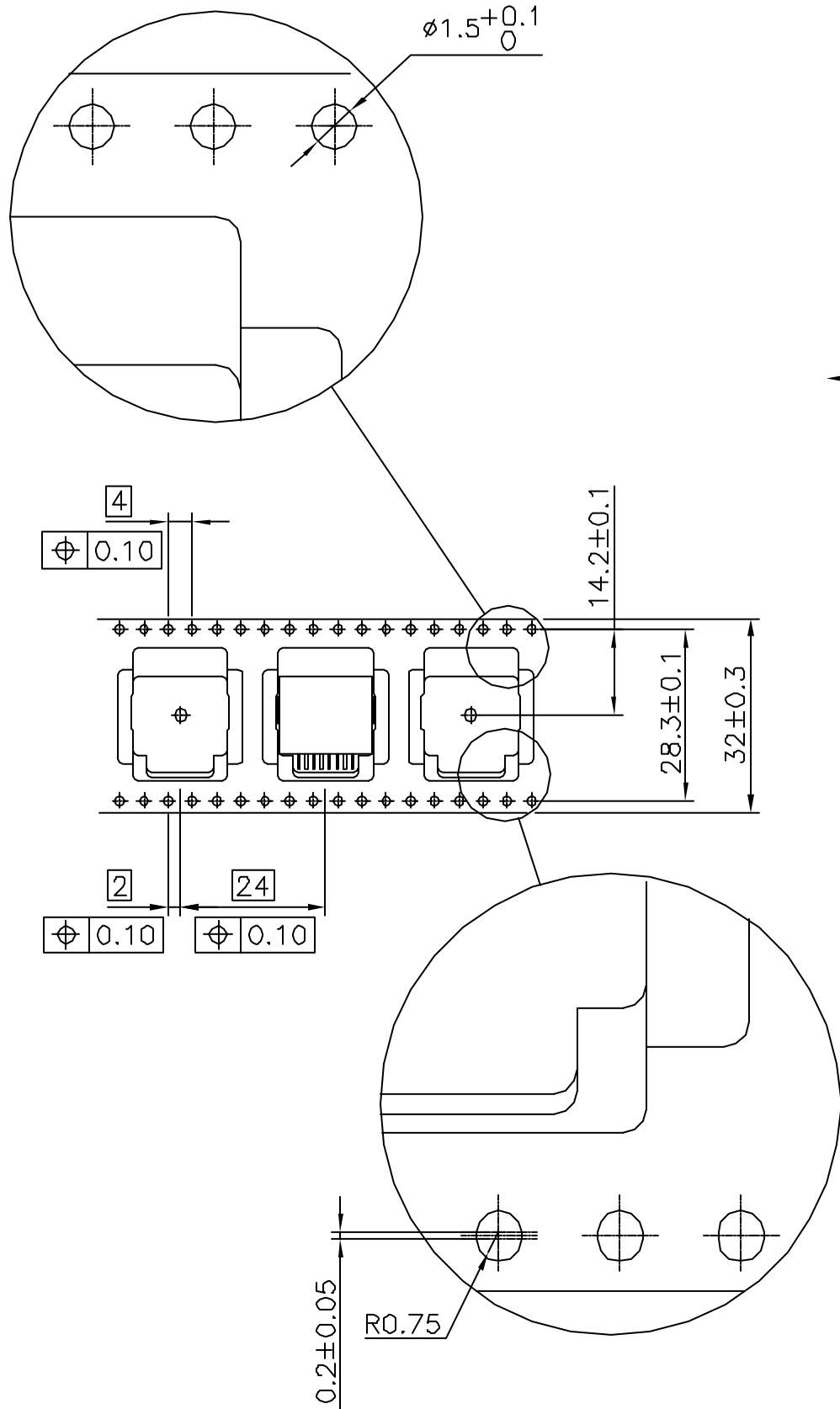
mat'l. code		surface ISO 1302 <input checked="" type="checkbox"/>		tolerance ISO 406 ISO 1101		projection 		product family MODULAR JACK	
ltr		ecn no		dr		date		title	
H		F06-024C		DLE		06.07.18		SMT RA JACK 8 POS INSIDE	
C		FB0620		DLE		98.11.26		scale 2:1	
D		V20289		LP		02.06.02		dr D LEGRAND 04.10.19	
E		F03020		DLE		03.01.27		engr P NIZZI 04.10.19	
F		F04-0363		DLE		04.10.19		chr D LEGRAND 04.10.19	
G		F05-0247		DLE		05.09.12		appd P NZ 04.10.19	
sheet index		revision sheet		H D B		1 2 3		dwg no 73333 sheet 1 of 3 size A3	
								type CUSTOMER Drawing	



Copyright FCI

PRODUCT NUMBER
SEE SHEET 1

LTR	PART NAME	QTY
1	PRODUCT	230
2	TAPE	1
3	REEL	1
4	COVER TAPE	1



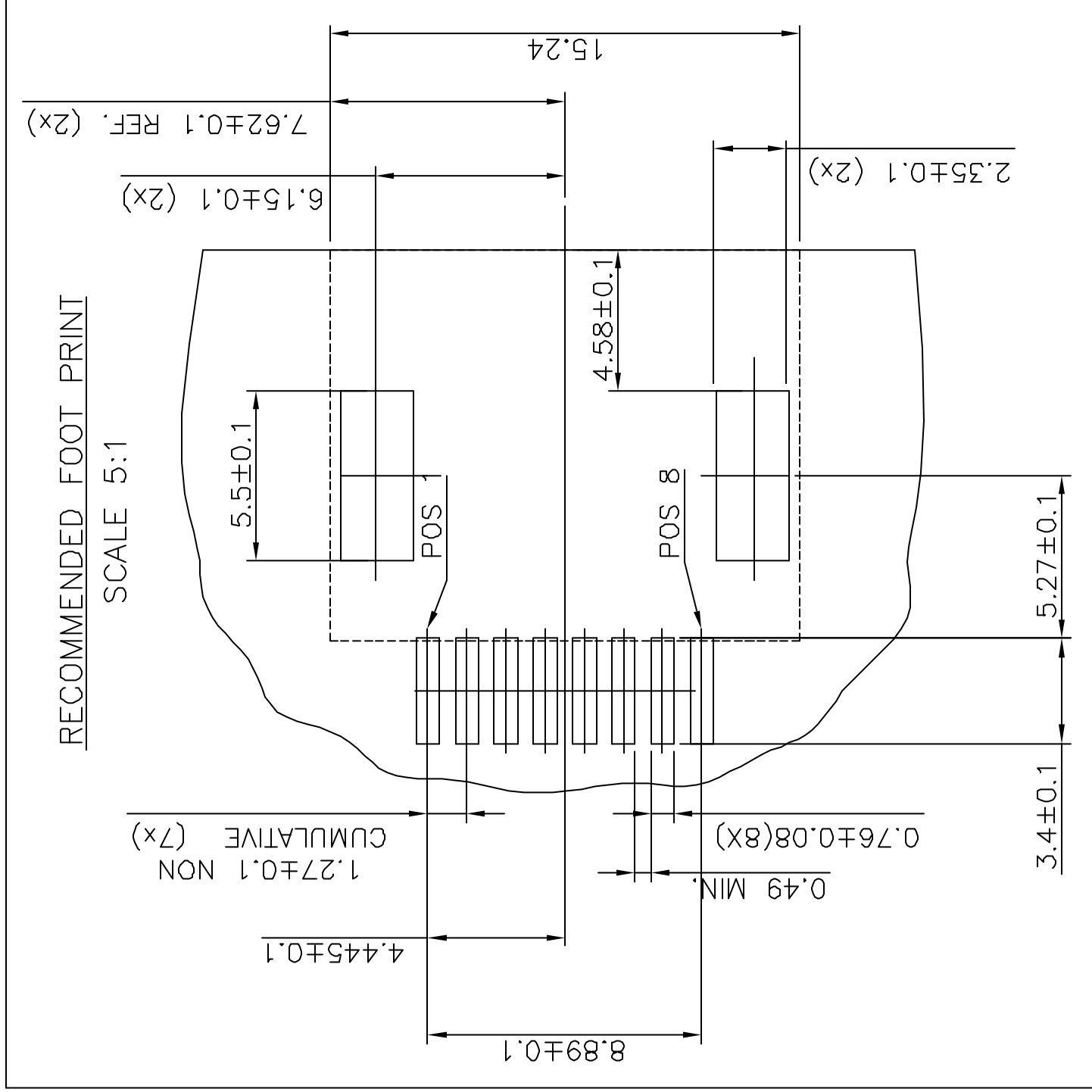
1- IN ACCORDANCE WITH EIA-481 AND IEC 296-3

CUSTOMER COPY FOR REFERENCE ONLY

mat'l. code		surface ISO 1302 ✓		tolerance ISO 406 ISO 1101		projection mm		product family MOD-JACK	
ltr		ecn no		dr		date		title	
C		F80620		DLE		98.11.26		SMT RA JACK 8 POS. INSIDE	
D		F06-0240		DLE		06.07.18			
sheet index		revision sheet		dr		D LEGRAND		06.07.18	
				enr		P NIZZI		06.07.18	
				chr		D LE		06.07.18	
				appd		P NZ		06.07.18	
				dwg no		73333		sheet 2 of 3	
				type		CUSTOMER Drawing		size A3	



Copyright FCI



RECOMMENDED FOOT PRINT
SCALE 5:1

A

B

C

D

CUSTOMER COPY FOR REFERENCE ONLY

mat'l. code		surface		tolerance		projection		product family	
ISO 1302 ✓		ISO 406 ISO 1101		ISO 406 ISO 1101				MODULAR JACK	
tolerances unless otherwise specified		angles		linear		mm		title	
±0.13		±2°		Linear		mm		SMT RA JACK	
±2°		D LEGRAND		04.10.19		scale 2:1		8 POS INSIDE	
dr		P NIZZI		04.10.19		FCJ		dwg no	
chr		D LEGRAND		04.10.19				73333	
appd		P NZ		04.10.19				sheet 3 of - size	
sheet		revision						A4	
index		sheet						CUSTOMER Drawing	

Copyright FCI

Fconnect.com

